

Technical data sheet



Product features

Bain marie electric GN 4-1/1 controllers on longer side

Model	SAP Code	00006129
--------------	-----------------	----------



- Drain: Yes
- Material: Stainless steel
- Protection of controls: IPX4
- Maximum device temperature [°C]: 90

SAP Code	00006129	Power electric [kW]	2.800
Net Width [mm]	1710	Loading	230 V / 1N - 50 Hz
Net Depth [mm]	750	Number of GN / EN	4
Net Height [mm]	905	GN / EN size in device	GN 1/1
Net Weight [kg]	69.00	GN device depth	200

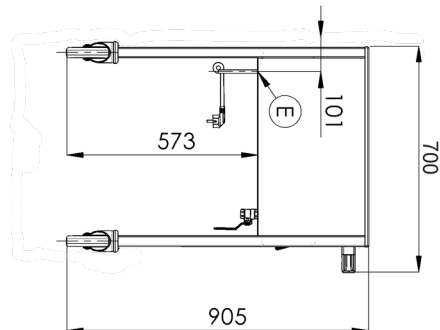
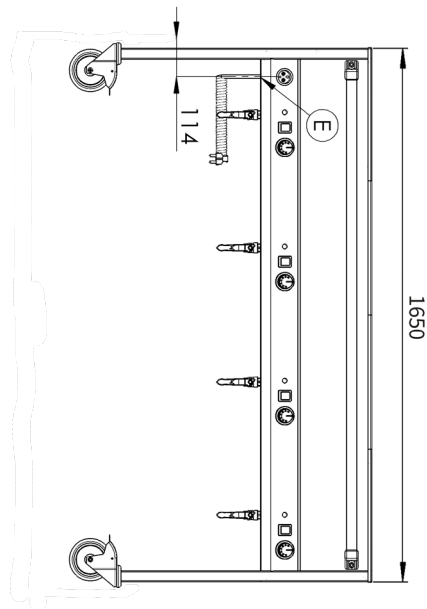
Technical data sheet



Technical drawing

Bain marie electric GN 4-1/1 controllers on longer side

Model	SAP Code	00006129
-------	----------	----------



Bain marie electric GN 4-1/1 controllers on longer side

Model	SAP Code	00006129
--------------	-----------------	----------

- 1 Deep-draft bathtubs**
basins without sharp transitions, edges and corners
 - easy maintenance
 - perfect sanitation
- 2 Controlling each bath separately**
variability of use
 - possibility to keep different foods at different temperatures
- 3 All-stainless steel construction**
harmless to health for contact with food
robustness
 - perfect sanitation
 - long service life
- 4 Drain valve under the bathtub**
safer placement of the drain valve
 - valve positioning prevents unintentional contact and possible scalding
- 5 Handrail**
safer placement of the drain valve
 - easy handling of the dispensing tub
- 6 Braked wheels**
easy handling
 - more comfort for the operator
 - safety
 - stability

Technical data sheet



Technical parameters

Bain marie electric GN 4-1/1 controllers on longer side

Model	SAP Code	00006129
--------------	-----------------	----------

1. SAP Code:

00006129

2. Net Width [mm]:

1710

3. Net Depth [mm]:

750

4. Net Height [mm]:

905

5. Net Weight [kg]:

69.00

6. Gross Width [mm]:

750

7. Gross depth [mm]:

1710

8. Gross Height [mm]:

1010

9. Gross Weight [kg]:

70.00

10. Device type:

Electric unit

11. Construction type of device:

On wheels

12. Power electric [kW]:

2.800

13. Loading:

230 V / 1N - 50 Hz

14. Protection of controls:

IPX4

15. Exterior color of the device:

Stainless steel

16. Material:

Stainless steel

17. Maximum device temperature [°C]:

90

18. Minimum device temperature [°C]:

30

19. Adjustable feet:

No

20. Drain:

Yes

21. Number of GN / EN:

4

22. GN / EN size in device:

GN 1/1

23. GN device depth:

200